

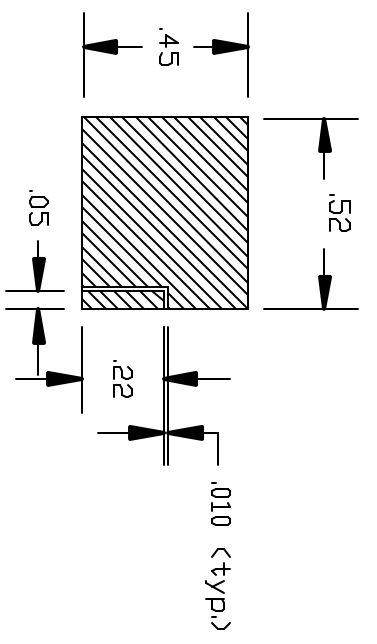
USER

REVDATE

FNAME

A-8653

REVISIONS				
ZONE	REV	DESCRIPTION	DATE	APPROVED
	C	E.C.N. #1651	9/23/98	C.M.W.
	D	E.C.N.#2193	6/10/08	
	E	E.C.N.#2324	2/16/10	



NOTES:

1. CROSS-HATCHED AREAS TO BE "THICK-FILM" METALIZED WITH DUPONT #2114 GOLD CONDUCTOR (ROHS COMPLIANT) ONE-SIDE.
2. .005 PULL-BACK APPROVED IF REQUIRED

USED ON		APPROVALS		TOLERANCES		TITLE	
		BY	DATE	ALL DIMS. ARE IN INCHES XX PLACE DEC.±.010 XXX PLACE DEC.±.005 FRACTIONS ±1/64 ANGLES±0.5°		GPD OPTOELECTRONICS CORP. 7 MANOR PARKWAY, SALEM, NH. 03079-2842	
				FINISH		SIZE	FSCM NO.
				MATERIAL: ALUMINA 96%		A	53399
						SCALE	DWG NO.
						2:1	8653
						SHEET	REV
						1 OF 1	E

MARK