

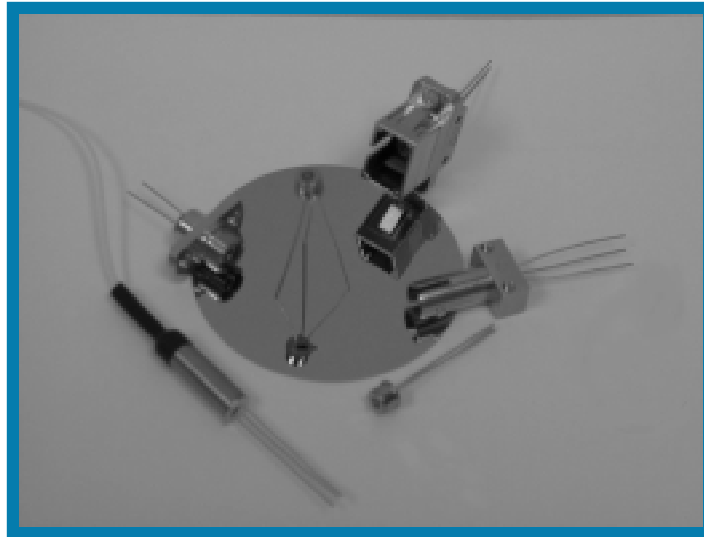
GAP60 GAP60CS GAP75  
GAP100 GAP300

# GPD

*OPTOELECTRONICS CORP.*

---

## High Speed InGaAs Photodiodes



- **High Responsivity**
- **High Shunt Resistance**
- **Low Capacitance: High Speed**
- **Planar Design for High Reliability**

---

GPD Optoelectronics Corp.



### Electrical Characteristics @ 25 °C

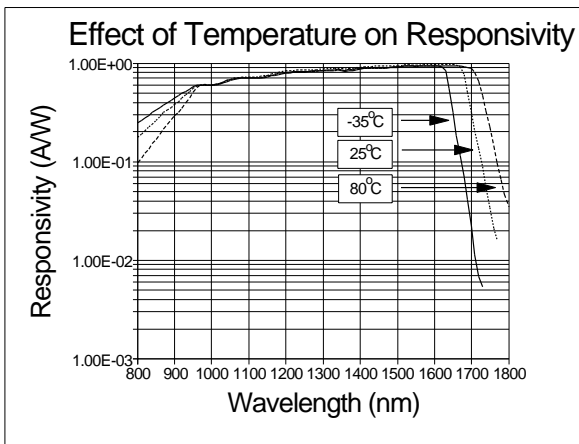
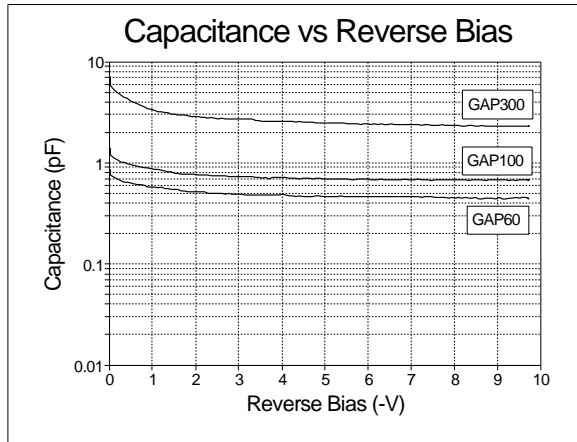
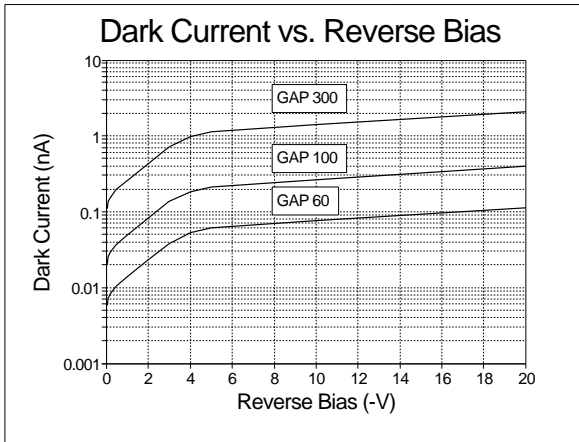
	GAP60/CS	GAP75	GAP100	GAP300	
Active Diameter	60	75	100	300	μm
Responsivity @ 850nm	0.10 (0.20)	0.10 (0.20)	0.10 (0.20)	0.10 (0.20)	A/W min. (typ.)
1300nm	0.80 (0.90)	0.80 (0.90)	0.80 (0.90)	0.80 (0.90)	A/W min. (typ.)
1550nm	0.95	0.95	0.95	0.95	A/W min.
Dark Current @ 5V	0.8 (0.3)	0.8 (0.3)	1.0 (0.5)	5.0 (1.0)	nA max. (typ.)
Capacitance @ 5V	0.7(0.5)/0.5(0.3)-CS	0.8 (0.6)	1.2 (1.0)	8.0 (4.0)	pF max. (typ.)
Bandwidth 50 Ω -3dB	2.5/4.0-CS	2.2	2.0	0.7	GHz min. @ 5V
Rise/Fall time $R_L=50\Omega$	0.07/0.04-CS	0.06	0.1	0.25	ns max. @ 5V
NEP @ 1550 nm	1.0E-15	1.0E-15	1.5E-15	5E-15	W/√Hz typ.
Case Style (standard)	TO-46(mod)/CS-1	TO-46(mod)	TO-46(mod)	TO-46(mod)	

### Maximum Ratings

	GAP60/CS	GAP75	GAP100	GAP300	
Storage Temperature	-40 to 125	-40 to 125	-40 to 125	-40 to 125	°C
Operating Temperature	-40 to 85	-40 to 85	-40 to 85	-40 to 85	°C
Reverse Voltage	25	25	25	25	V
Reverse Current	1	10	10	25	mA
Forward Current	10	10	10	100	mA



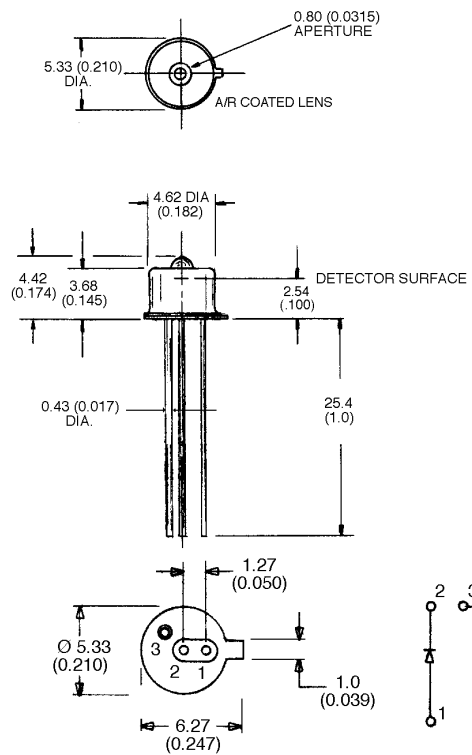
# GAP60 GAP60CS GAP75 GAP100 GAP300



## Package Outlines

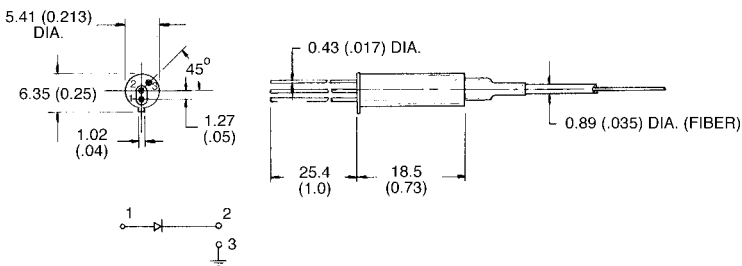
### Package Outlines

#### TO-46 (Modified)



## Package Outlines

#### "PT" Assembly



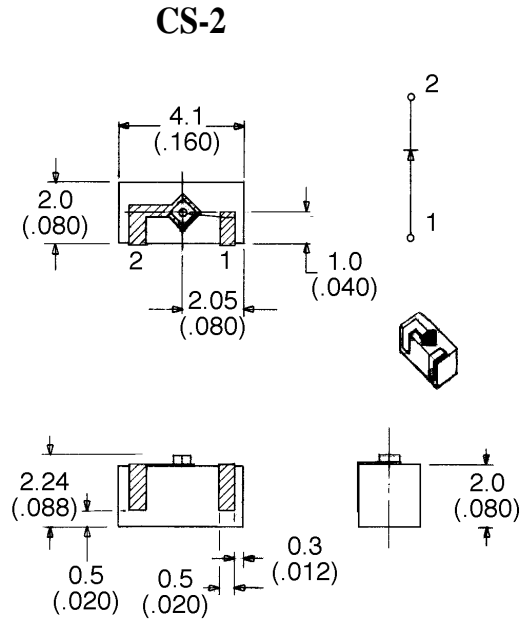
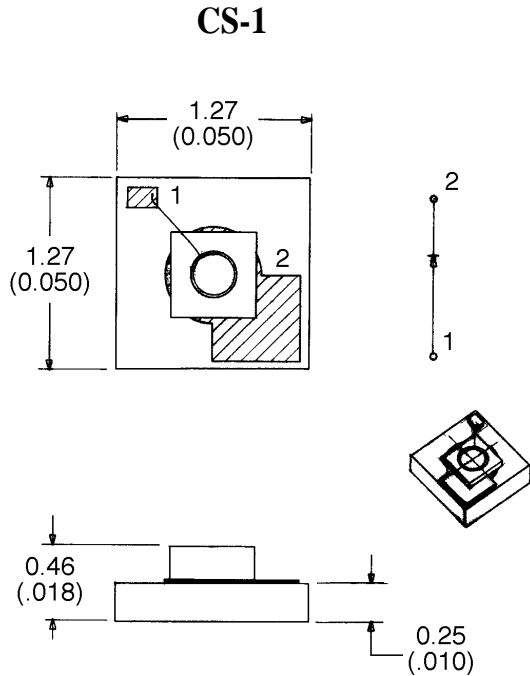
Dimensions in mm (in.) Custom packages are available

# GPD Optoelectronics Corp.



**Ceramic Submounts**

Dimensions in mm (in.) Custom submounts are available.



GPD Optoelectronics Corp. (formerly Germanium Power Devices) has been a manufacturer of power transistors and diodes since 1973 and a manufacturer of infrared photodetectors for more than ten years. GPD offers Germanium p-n, p-i-n, APD and InGaAs p-i-n high-speed and large area photodetectors for infrared radiation detection and telecommunications applications. GPD can offer you a photodetector that meets your technical and cost requirements.

GPD maintains an inspection system in accordance with MIL-I-45208. Photodiodes are subjected to Bellcore testing requirements(TA-NWT-00093), MIL-STD-883 test methods and/or customer specifications.

**GPD Optoelectronics Corp.**  
7 Manor Parkway  
Salem, NH 03079-2842  
Tel: (603) 894-6865 Fax: (603) 894-6866  
E-mail address: sales@gpd-ir.com  
Web Site: <http://www.gpd-ir.com>